

BENCH

UK MADE

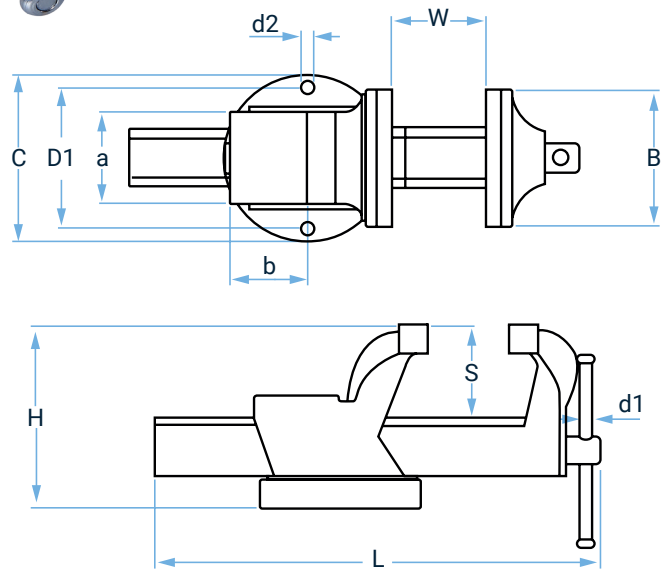
MASTER

MASTER VICE

MPV PROFESSIONAL ENGINEERS VICE WITH FIXED BASE



- MADE OF SG CAST IRON
- HARDENED JAWS
- LARGE ANVIL
- ADJUSTABLE SCREWS ON THE SIDES FOR PRECISION WORKING
- GS CERTIFICATION



MASTER VICE DATA

MPV - MASTER VICE	CODE	UNIT	MPV-100SG 4"	MPV-125SG 5"	MPV-150SG 6"	MPV-175SG 7"
SIZE		mm	100	125	150	175
TOTAL LENGTH	L	mm	305	355	455	530
THROAT DEPTH	S	mm	66	82	104	108
JAWS SIZE	B	mm	105	130	152	182
JAWS OPENING	W	mm	102	125	152	180
ANVIL SIZE	axb	mm	73x58	78x73	90x84	104x99
BASE DIAMETER	C	mm	128	145	165	190
HOLE CENTRES	d2	mm	11	14	14	14
HOLE DISTANCE	D1	mm	99	120	133	154
HEIGHT OF VICE	H	mm	130	155	180	210
HANDLE DIAMETER	d1	mm	16	16	20	20
CLAMPING FORCE		n	15000	20000	30000	35000

Dimensions subject to casting variances



MANUFACTURED BY



FREE DELIVERY ON ALL WORKBENCHES TO MOST AREAS OF THE UK 

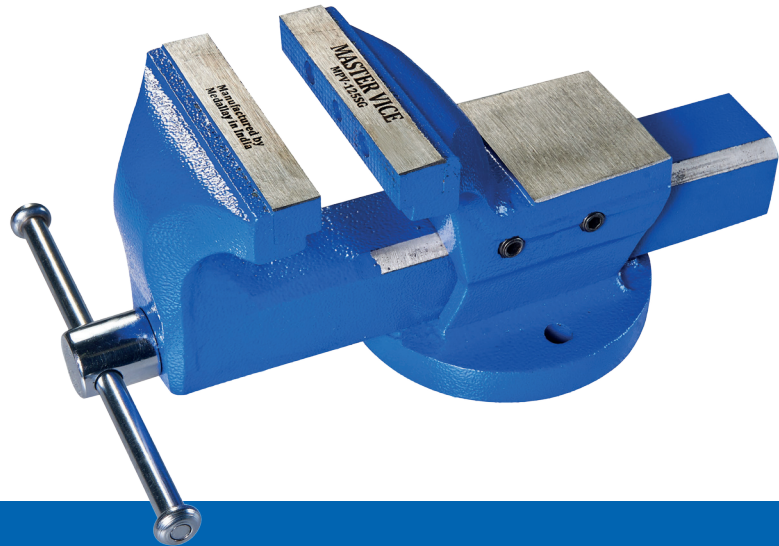
BENCH

UK MADE

MASTER

MASTER VICE

MPV PROFESSIONAL ENGINEERS VICE WITH FIXED BASE



MASTER VICE TECHNICAL INFORMATION

The Master Vice is initially cast and then machined to the highest standards. The Master Vice is manufactured by Medallay who have been manufacturing vices since 1950 and are located in Jalandhar in India.

THE MASTER VICE RANGE IS MANUFACTURED TO INTERNATIONAL STANDARDS.

- ISO 9001:2008 Quality Standard
- GS (Geprüfte Sicherheit) or "Tested Safety" underpinned by TUV Rheinland in Germany. Certificate number S50223248. www.tuv.com

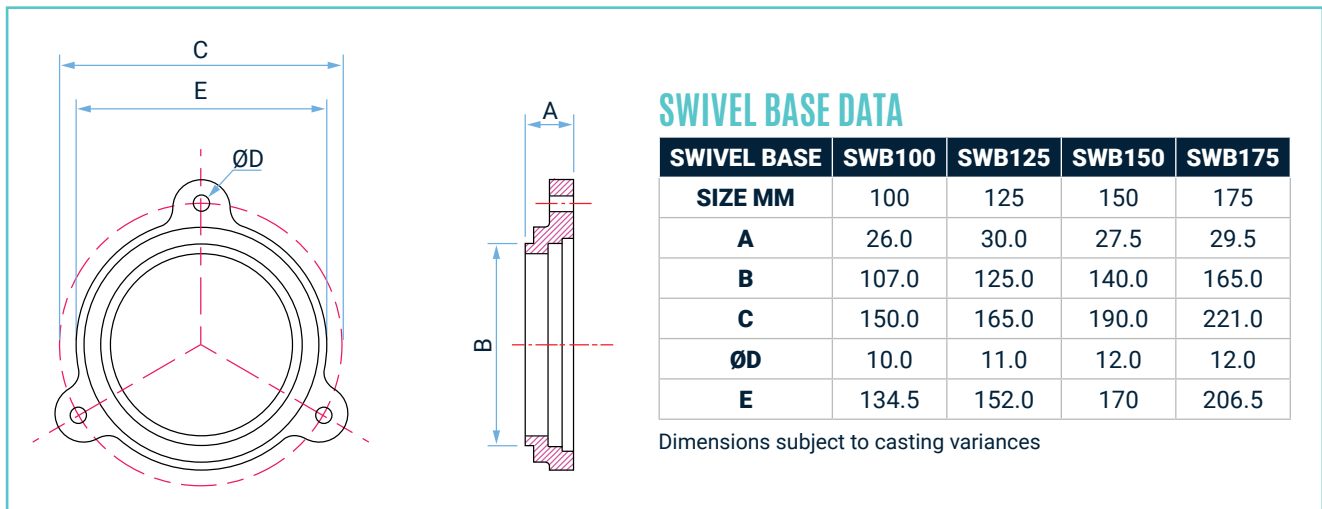
The Geprüfte Sicherheit (Tested Safety) or GS mark is a voluntary certification mark for technical equipment. It indicates that the equipment meets German safety requirements for such devices. The vices have been tested and certified by a state approved independent body (in this instance TUV Rheinland). The GS mark is based on the German Equipment and Product Safety Act ("Geräte und Produktsicherheitsgesetz" or "GPSG").

Although the GS mark was designed with the German market in mind, it appears on a large proportion of electronic products and machinery sold throughout the world.

THE VICE IS CAST WITH SG CAST IRON

SG cast iron, also known as spherulitic graphite cast iron, has much more impact and fatigue resistance compared to standard cast iron due to its nodular graphite inclusions.

The common defining characteristic of this group of materials is the shape of the graphite. In ductile irons, the graphite is in the form of nodules rather than flakes as it is in grey iron. The sharp shape of the flakes of graphite creates stress concentration points within the metal matrix and the rounded shape of the nodules less so, thus inhibiting the creation of cracks and providing the enhanced ductility.



BENCHMASTER LIMITED UNITS 10/11, RIVERSIDE ESTATE, EGMONT STREET, MOSSLEY, LANCASHIRE, OL5 9PY
 T 01457 837146 F 01457 837981 E SALES@BENCHMASTER.UK W WWW.BENCHMASTER.CO.UK

FREE DELIVERY ON ALL WORKBENCHES TO MOST AREAS OF THE UK 