

ESD READY WORKBENCHES



01457 837146



sales@benchmaster.co.uk



www.benchmaster.uk

BenchMaster Limited, Units 10/11, Riverside Estate, Egmont Street, Mossley, Ashton-Under-Lyne, OL5 9PY, UK

**BENCH
MASTER**

UK MADE
01457 837146
www.benchmaster.uk

BENCHMASTER HAVE MANUFACTURED ESD TOP WORKBENCHES FOR OVER 10 YEARS. OVER THIS PERIOD OF TIME BENCHMASTER HAVE SOUGHT AND CONTINUE TO ENHANCE THE SPECIFICATION RESULTING IN FULLY ESD FUNCTIONING WORKBENCHES AND MEETING SPECIFICATION EN61340-5-1. SEE DETAILS ON NEXT PAGE.

WORKBENCH SIZE	ESD READY WORKBENCHES
LENGTH & DEPTH (MM)	CODE
1200 x 600	AB1260LER
1200 x 750	AB1275LER
1200 x 900	AB1290LER
1500 x 600	AB1560LER
1500 x 750	AB1575LER
1500 x 900	AB1590LER
1800 x 600	AB1860LER
1800 x 750	AB1875LER
1800 x 900	AB1890LER
2000 x 600	AB2060LER
2000 x 750	AB2075LER
2000 x 900	AB2090LER

Manual and electric hydraulic height adjustable available now

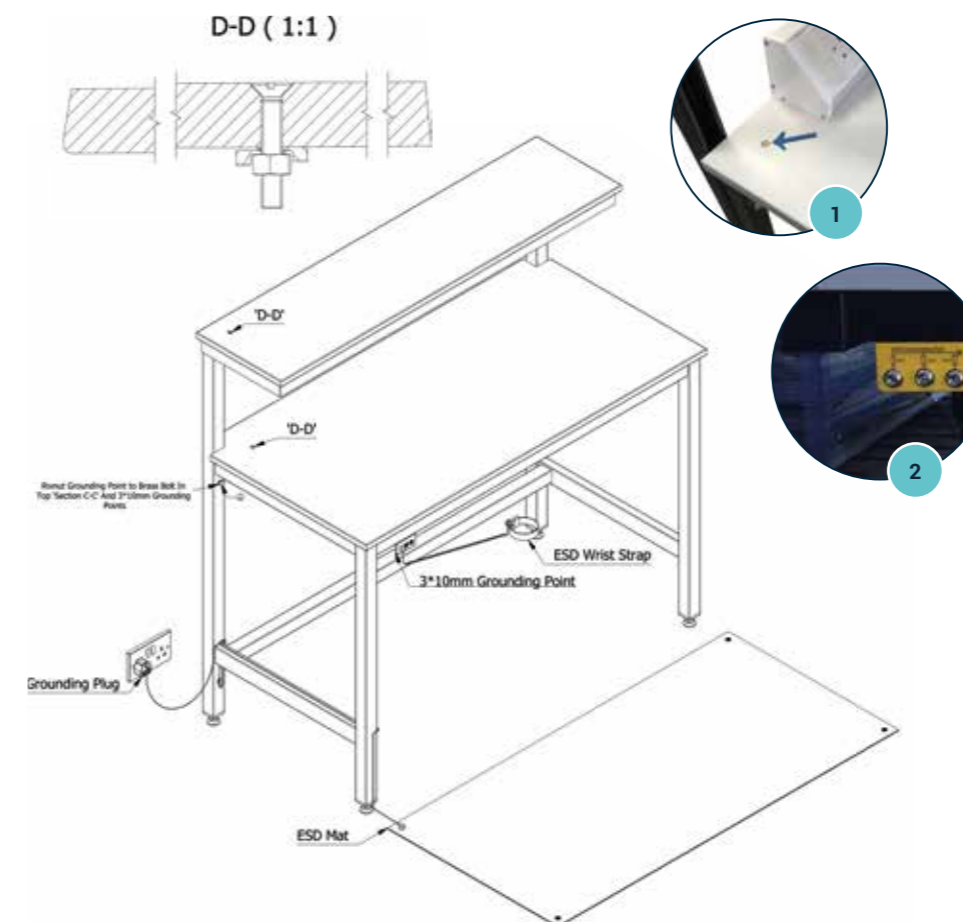


How is electro static discharge overcome with the Benchmaster ESD functioning workbench?

The simple answer is that BenchMaster manufacture the workbench with electro static dissipative materials so it is set up for immediate use once plugged into a standard earthed UK wall socket. If multiple workbenches are ordered it is possible to link the earthing system - please check with us for the best solution.

Why are ESD workbenches necessary?

We know the manufacturing process of circuit boards, micro chips and other sensitive electronic equipment can be negatively affected if electro static discharges occur. A relatively inexpensive microchip may be part of a much more expensive piece of equipment, which, if it were to fail, could have a high correction cost, as well as the associated damage caused by loss of reputation. That's why we've manufactured workbenches and associated equipment that eliminate electro static discharges. Please note ESD is also short for electro static discharge which can easily be confused with our offering - the Electro Static Dissipative functioning workbench. It is the term dissipative (gradual dissipation of electro static) that is the most important aspect of a BenchMaster ESD functioning workbench.



Key points of the BenchMaster ESD functioning workbench specification:

- The frame is powder-coated architectural black that offers a 10⁶ dissipative resistance and is supported with suppliers' certificate of conformity.
- An ESD laminate worktop supplied and tested in accordance with EN61340-5-1 and supported with suppliers' certificate of conformity. Volume resistance RD 1x10⁴ – 1x10⁶ Ohm (EN 61340-5-1) measured dry with measurement voltage 100V DC and cylindrical electrode 20-30°C and 20-50% relative humidity.
- Brass countersunk earthing bolt, washer and cable usually located rear left-hand side of worktop (see image 1).
- An earthing stud and cable usually located on rear left-hand leg.
- An earth bonding point with 3x10mm studs, each with 1 Mohm resistors attached to front left-hand frame under worktop (see image 2). Plus earth cable and plug for use in standard UK earthed wall socket.
- Adjustable wrist strap and earth cable.
- 1200 x 600 ESD rubber mat with 1 stud and earth cable.
- Declaration of Incorporation certificate to EN61340-5-1.
- Looking for something a little different? BenchMaster can offer bespoke solutions over and above standard specification. **Please get in touch to find out how we can help.**

Please get in touch to find out how we can help you today

01457 837146 | sales@benchmaster.co.uk | www.benchmaster.uk

BenchMaster Limited, Units 10/11, Riverside Estate, Egmont Street, Mossley, Ashton-Under-Lyne, OL5 9PY, UK



ACCESSORIES



Give us a call for ESD ready cupboards and drawers

ACCESSORIES	CODE
13-amp twin socket	TWIN13A
1000mm long trunking	BTT10
1500mm long trunking	BTT15
1800mm long trunking	BTT18
2000mm long trunking	BTT20
Fluorescent light	FFLIGHT
Twin fluorescent light	FFLIGHTW
LED 24W light	LED24WLIGHT

ACCESSORIES	CODE
LED 48W light	LED48WLIGHT
1200mm long ESD ready upper shelf	USLER12
1500mm long ESD ready upper shelf	USLER15
1800mm long ESD ready upper shelf	USLER18
2000mm long ESD ready upper shelf	USLER20
ESD ready louvre and tool panels	LPESDR / TPESDR
Light rail	LRESDR
ESD ready support bars	SBESDR

ACCESSORIES SPECIFIC TO ESD READY WORKBENCHES

EARTHING SUPPLIES	CODE
Unit with 3x10mm stud and 1 mohm resistors attached to workbench frame	EA0001
3 metre blue coiled earthing cable with resistor at one end and for 10mm studs	EA0002
UK wall plug with 2x10mm stud and 1 M5 post	EA0003



EA0001

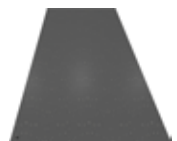


EA0002

WRIST STRAPS	CODE
Adjustable with 10mm stud	WS0001
Anti allergy metal with 10mm stud-small 140mm	WS0002
Anti allergy metal with 10mm stud-medium 165mm	WS0003
Anti allergy metal with 10mm stud-large 185mm	WS0004
Anti allergy metal with 10mm stud-extra large 200mm	WS0005



EA0003



CBR1260

DISSIPATIVE GREY RUBBER FLOOR MATTING	CODE
1200 x 600 x 1.5mm with 1x10mm studs	CBR1260
1500 x 600 x 1.5mm with 1x10mm studs	CBR1560
1800 x 600 x 1.5mm with 1x10mm studs	CBR1860



WS0001



WS0002



01457 837146



sales@benchmaster.co.uk



www.benchmaster.uk

BenchMaster Limited, Units 10/11, Riverside Estate, Egmont Street, Mossley, Ashton-Under-Lyne, OL5 9PY, UK

